

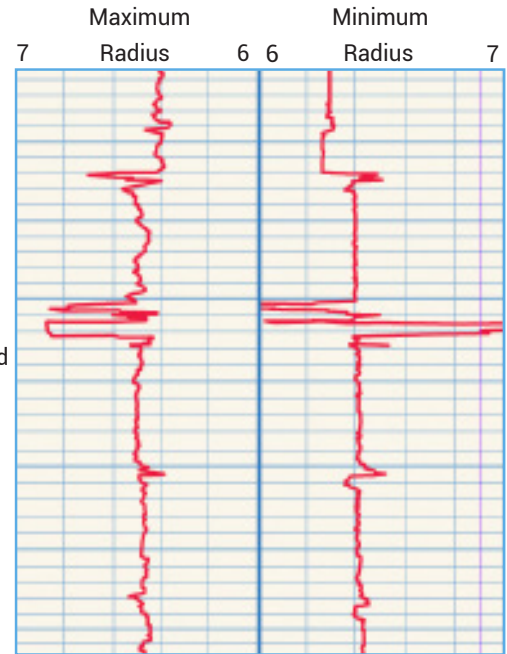
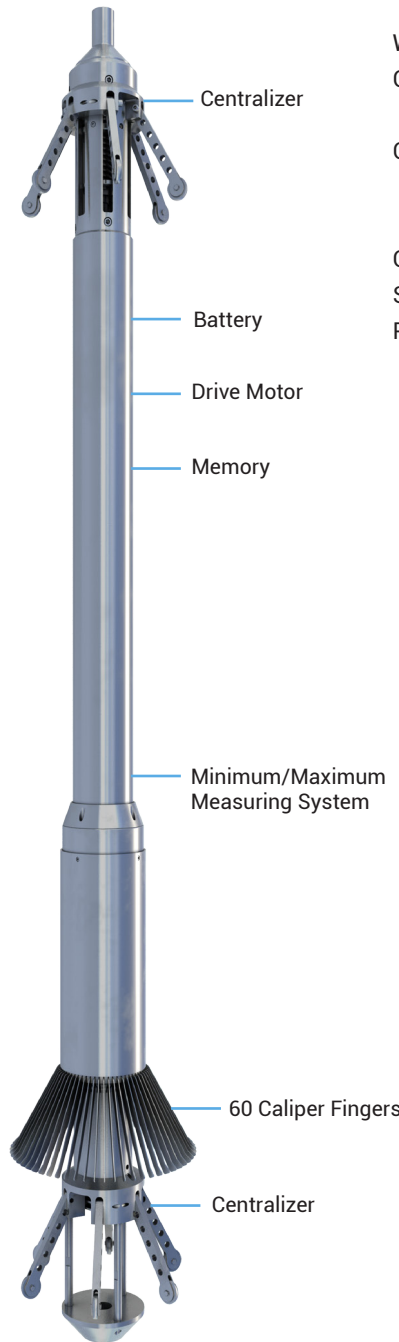
PRODUCT SPEC SHEET

VULCAN™ MFT 60

Scientific Drilling's Vulcan™ MFT (Multi-Finger Tool) 60 provides reliable and accurate data on the condition of the casing in high temperature wells (up to 600°F/315°C).

The tool extends 60 fingers to measure the minimum and maximum internal diameter of the casing or pipe.

There is also availability of a 90 finger tool for larger casings.



DELIVERING THE ULTIMATE VALUE

- Downloadable on-site for rapid verification of data and reporting
- Delivers data in the most extreme environments
- Fully electronic tool

TARGET APPLICATIONS

- Detect internal corrosion
- Ideal for geothermal completions
- Locate separated collars
- Deformities, corrosion and scale detection
- Identify distorted or collapsed sections

TECHNICAL SPECIFICATIONS

Diameter	5.31 in (134.9 mm)
Length	72 in (1,828.8 mm)
Number of Fingers	60
Minimum Measurement	6 in (152.4 mm)
Maximum Measurement	13.5 in (342.9 mm)
Accuracy	±0.05 in (±0.127 mm)
Logging Speed	30 - 60 fpm (9 - 18 mpn)
Temperature Rating*	600°F (315°C)

*Maximum temperature rating dependent on run duration.

**Specifications are subject to change without notice.

Updated January 2016

Copyright © 2016 Scientific Drilling International