

PRODUCT SPEC SHEET

VULCAN™ FLS 1.75 and VULCAN™ FLS 2.25

Scientific Drilling's Vulcan™ FLS (Flow Logging System) 1.75 and 2.25 are extended duration, flasked system production logging tools.

This high temperature system offers the following sensors:

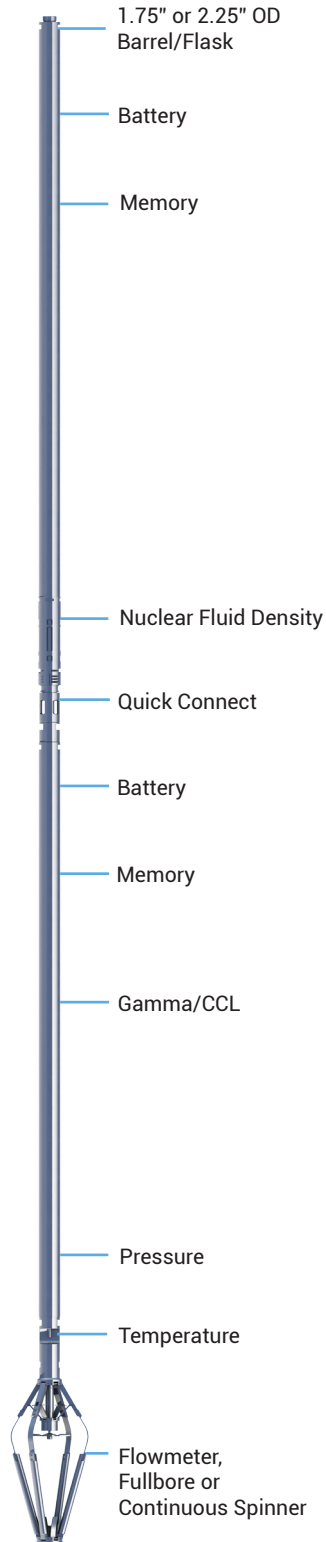
- Casing Collar Locator (CCL)
- Gamma Ray
- Spinner Flowmeter
- Temperature
- Pressure
- Nuclear Fluid Density

DELIVERING THE ULTIMATE VALUE

- Lasts longer in hot holes
- Pressure control is simplified and safer in slickline operations
- Deployed with any downhole conveyance system
- Cost-effective data acquisition
- Compact tool-strings allow deployment in height restricted areas
- Only high temperature density tool available
- FIM option available

TARGET APPLICATIONS

- Flow profiling with single or up to 3 phase fluids
- Measures density for steam quality
- Leak detection



TECHNICAL SPECIFICATIONS

Housing Diameter	Medium: 1.75 in	Large: 2.25 in
Temperature Rating*	600° F (315° C)	
Pressure Rating	16,000 psi (110,316 kPa)	
Memory	Non-volatile, 48MB	
Pressure Sensor Accuracy / Resolution	High Accuracy Quartz Crystal ± 3.0 psi / 0.01 psi	
Fullbore Spinner Resolution Type Casing Sizes	Minimum 0.1 rps with direction 4-Arm / 6-Arm 5", 7" and 9 5/8"	
Continuous Spinner Resolution Outer Diameter Range	Minimum 0.1 rps with direction 1.5 in - 3.5 in	
Temperature Sensor Accuracy/Resolution	High Accuracy Platinum Resistance ±1.8° F (1° C) / 0.02° F (0.01° C)	
Gamma Ray Crystal Detector	Sodium Iodide (NaI) Scintillation	
Casing Collar Locator Measurement Frequency	50 samples per second	
Nuclear Fluid Density Accuracy Resolution	0.02 g/cc ± 0.01 g/cc	

*Maximum temperature rating dependent on run duration.

**Specifications are subject to change without notice.

Updated January 2016

Copyright © 2016 Scientific Drilling International